



Simply Engineered Better

## MODEL 401HT PLUS

Undercounter High Temperature Dishwashing Machine with Built-in Booster Heater



\*Shown with optional top and side panels

### SPECIFIER STATEMENT

Dishwasher will be Moyer Diebel model 401HT Plus high temperature undercounter dishwasher, complete with 1 Hp pump motor, soft start feature, all stainless steel frame and fill and dump type operation. Machine to have a minimum of 15-3/4" [400mm] opening to accommodate trays and must be equipped with rinse sentry feature to ensure 180°F final rinse temperature.  
1 year parts and labour warranty.



MD014P - Printed in U.S.A.

Project \_\_\_\_\_  
Item No. \_\_\_\_\_  
Quantity \_\_\_\_\_

401HT PLUS UNDERCOUNTER

### STANDARD FEATURES

- **NEW!** Soft start provides gradual and quiet pump activation and helps prevent dish and glass breakage
- **NEW!** Top-mounted, user friendly, operator controls
- **NEW!** All stainless steel frame
- **NEW!** More powerful, yet whisper quiet, 1 Hp pump motor
- **NEW!** Upper and lower interchangeable spray arms
- **NEW!** Push button activation prevents unnecessary and wasteful cycling
- Fill and dump type operation. Rinse water always re-used as next cycle's wash water. Low 1.5 imp gal (7L) water usage per rack.
- Liquid detergent and rinse-aid dispensing pumps complete with prime switches
- Flexible fill and drain lines, flow regulator/line strainer and standard pumped drain for total ease of installation
- Quick 141 second cycle time. 21 racks per hour capacity
- Large 15-3/4" [400mm] door opening accommodates trays
- Rugged, counter-balanced, double skin door, for quieter operation and durability
- Rinse-sentry feature. Ensures proper 180°F final rinse temperature
- Complete with two 20" x 20" [508mm x 508mm] racks (one peg & one flat)
- One year parts and labour warranty.

### OPTIONS & ACCESSORIES

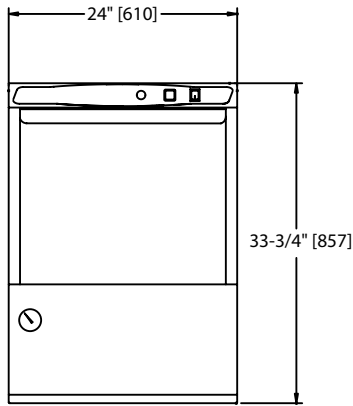
- |   |             |
|---|-------------|
| <input type="checkbox"/> Top and side panel                                   | P/N 0712390 |
| <input type="checkbox"/> 70°F/39°C rise booster for 110°F/43°C incoming water | P/N 0712732 |
| <input type="checkbox"/> 17RS - 17" [432mm] rack storage stand                | P/N 0708757 |
| <input type="checkbox"/> 6T - 6" stand  | P/N 0712393 |
| <input type="checkbox"/> CST - Combination sink/table Machine on right        | P/N 403561  |
| <input type="checkbox"/> CST - Combination sink/table Machine on left         | P/N 403562  |

**Moyer Diebel Ltd. - Canada**

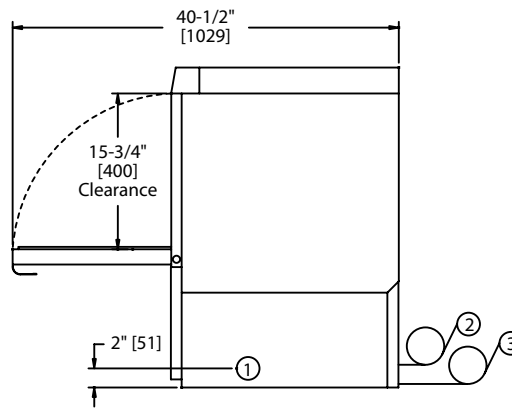
2674 North Service Rd., Jordan Station, Ontario, Canada L0R 1S0 Tel: 800/263-5798 Fax: 905/562-4618  
sales@moyerdiebellimited.com



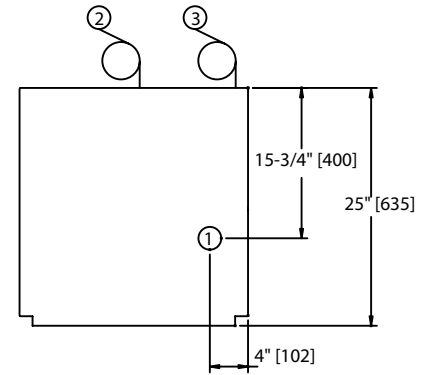
Dimensions shown in inches and [millimeters]



**Front View**



**Side View**



**Plan View**

## SPECIFICATIONS

<b>Capacity</b>	
Racks per hr.	21
<b>Motor Horsepower</b>	
Wash	1
<b>Water Consumption</b>	
Imp. gal./liters per hr. (max. use)	31.9/145
Imp. gal./liters per rack	1.5/6.8
<b>Temperatures °F/C</b>	
Wash (minimum)	150/66
Rinse (minimum)	180/82
<b>Heating</b>	
Electric booster	
(kW required for 40°F/22°C rise)	6
(kW required for 70°F/39°C rise)	9
<b>Time Cycle in Seconds</b>	
Wash	90
Rinse	26
Drain/fill	25
Total	141

## Utilities

- 1 Electrical Connection**  
115/208-240/60/1; 3 wire + ground hard wiring required (see box)
- 2 Water Connection**  
140°F Min., 1/2" supply hot water connection for 40°F rise booster  
110°F Min., 1/2" supply hot water connection for 70°F rise booster  
5 ft. long, 1/2" I.D. flexible fill hose with 3/4" hose connector  
Flow pressure: 25-95 psi (173-656 kPa)
- 3 Drain Connection**  
5 ft. long, 5/8" I.D. flexible drain hose; For Y connection into 1-1/2" drain.  
Max. drain flow: 7 gpm; 32 imp, maximum 3' height above floor.

### 401HT Plus with 40°F/22°C Rise Booster

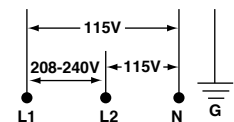
Elec. Specs.	Rated Amps	Minimum Supply Ckt. Conductor Ampacity	Maximum Overcurrent Protective Device
115/208/60/1	32	40	40
115/240/60/1	36	40	40

### 401HT Plus with 70°F/39°C Rise Booster

Elec. Specs.	Rated Amps	Minimum Supply Ckt. Conductor Ampacity	Maximum Overcurrent Protective Device
115/208/60/1	45	60	60
115/240/60/1	50	60	60

	Uncrated	Crated
<b>Height*</b>	33-3/4" [857]	39-1/2" [1003]
<b>Width</b>	24" [610]	25" [635]
<b>Depth</b>	24" [610]	25-1/2" [647]
<b>Ship Wt. lbs/kg</b>	178/79	198/90

\* Front leveling feet provided.



**\*Note:** Electrical supply service must be a 3-wire plus ground for connection as shown.

**Warning:** Plumbing and electrical connections should be made by qualified personnel who will observe all the applicable plumbing, sanitary and safety codes.

Due to an ongoing value analysis program at Moyer Diebel, specifications in this catalog are subject to change without notice.

'USGBC' and related logo is a trademark owned by the U.S. Green Building Council and is used by permission.